



SLIDING DOOR WITH H44 LEAF + ME40 WALL FRAME

- QUOTATION INQUIRY
- PURCHASE ORDER

CUSTOMER **Quotation Nr.** **Quantity** **Identical doors**

Job ref. _____ **Date** _____

Delivery address _____ **Date of delivery** _____

Contact person _____ **Means of transport**

Phone _____ **Incoterms** _____

e-mail _____ **Forwarder name** _____

Opening dimension:

- Opening width (AH):
Clear width (PL) = AH
- Opening height (HH):
Clear height (HL) = HH
- Operator length (AT):
Single slide: AT min=(2xPL) + 150
Bi-part: AT min=(2xPL) + 100

Activation

- 1- MANUAL
- 2- AUTOMATIC

Glass thickness

- 6mm
- 10 mm

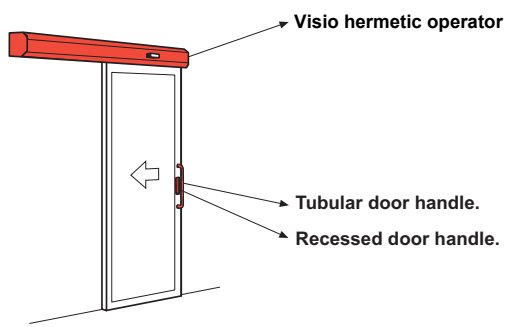
Opening direction

- SINGLE SLIDE LEFT OPENING
- SINGLE SLIDE RIGHT OPENING

Door handles

1- OPERATOR SIDE

- 1.1- Recessed handle
- 1.2- Tubular handle

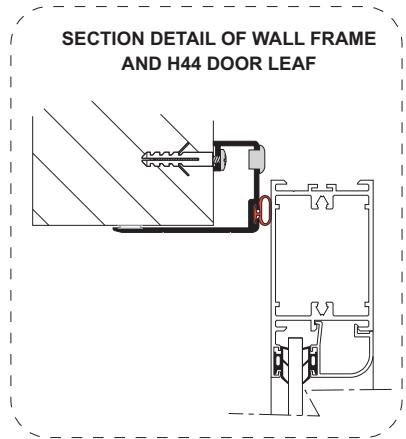


Surface finish

- 1- ANODIZED
reference: _____
- 2- LACQUERED
RAL: _____

Activation / detection accesories

- PLANAR RADAR _____ uts.
- OPTEX IR SENSOR _____ uts.
- PROXIMITY SWITCH _____ uts.
- OPENING PUSH BUTTON _____ uts.
- ELBOW SWITCH _____ uts.
- IR PHOTOCCELL BARRIERS _____ uts.



Remarks

MINIMUM DELIVERY TERMS:

- STANDARD ANODIZED AND LACQUERED 4 weeks
- NON-STANDARD ANODIZED AND LACQUERED 5 weeks